

NP-100V15 Tube Headphone Amplifier

13V 1.8A in

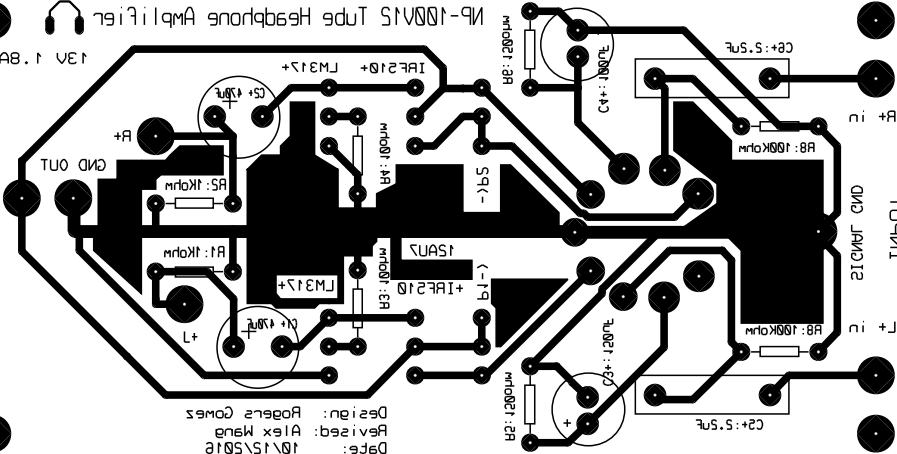
OUTPUT

R+ in

GND JANCIS

L+ in

INPUT



Date: 10/15/2016
 Revised: Alex Wang
 Design: Rogers Gomez

